

APPLICATION:

PRODUCT NAME:

TAILPIECE 2 X 6 BRASS SA

JOB NAME:

\_\_\_\_\_ SPECIAL CONFIGURATION  
 \_\_\_\_\_ CHECK BASE MODEL AND OPTIONS

QUANTITY:

ITEM NO.

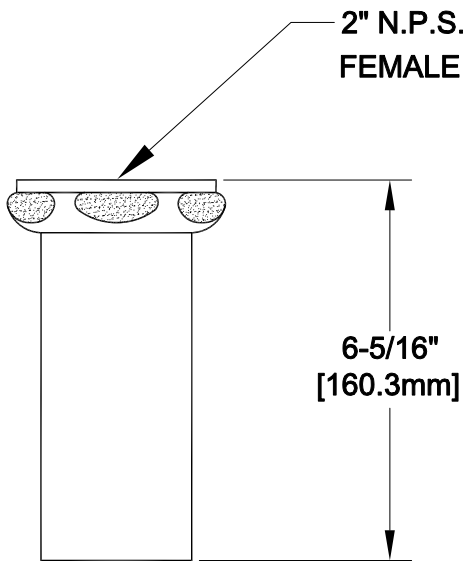
MODEL:

6128

OPTIONS OR MODIFICATIONS:

- SUPPLY LINES (24" OR 36") CIRCLE LENGTH
- NIPPLES
- ELBOWS
- HANDLES (CROSS OR WRIST) CIRCLE STYLE
- VANDAL RESISTANT KIT
- OTHER \_\_\_\_\_

FEATURES:



SHIPPING WEIGHT  
 \* .625 LBS